

ACTAG RFID Data Logger Specifications



A trademark of Beigel Technology Corporation

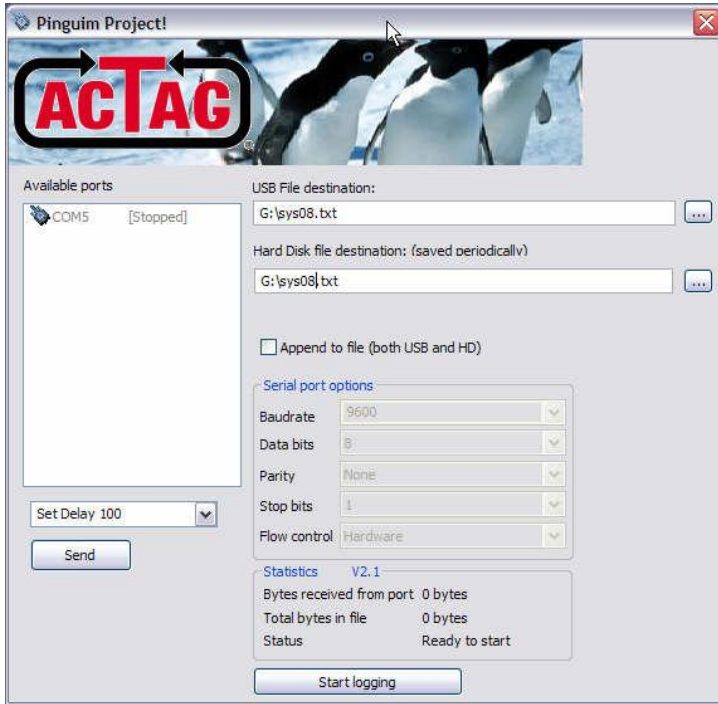
308 Via Julita - Encinitas, CA 92024 Phone: (760) 633-3868 Fax: (760) 633-3819

www.actag.com

• actag@actag.com

The **ACTAG RFID Data Logger** is designed for easy installation and operation in extreme weather conditions while still providing reliable data recording.

ACTAG RFID Data Logger is supplied with software compatible with Windows-based computer. The recorded data can be downloaded via wireless or removable media.

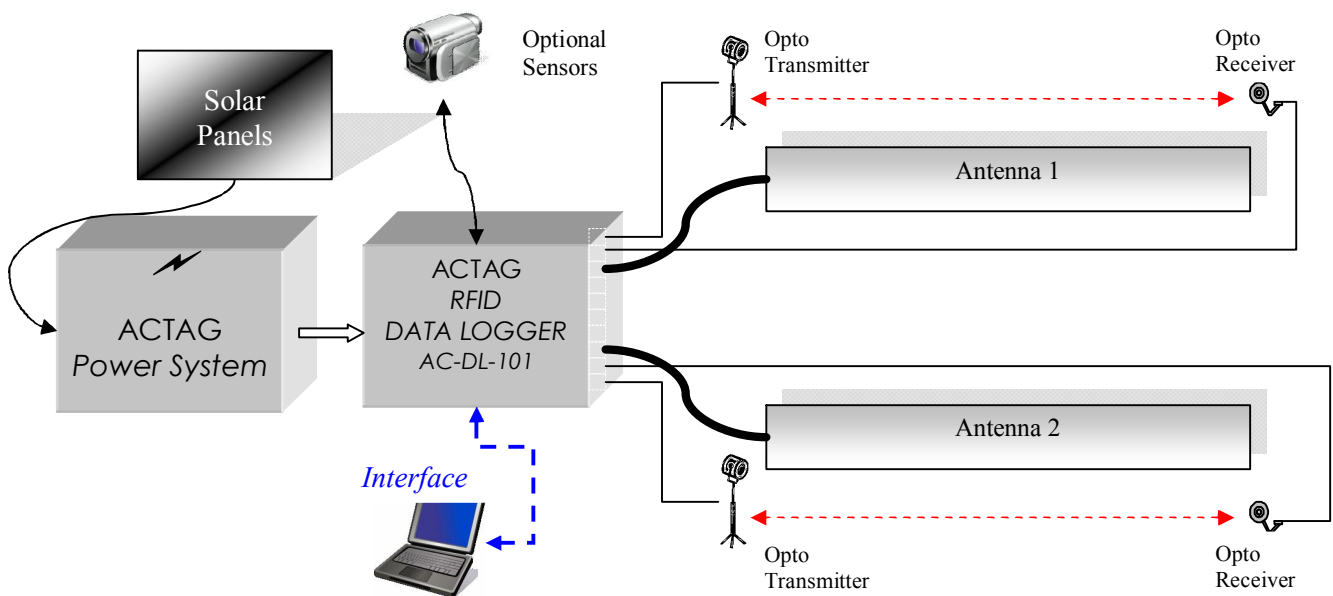


It contains two incorporated RFID readers, allowing for multiple points of data collection simultaneously. The system features auto-tuning, noise reduction and anti data collision by using advanced sophisticated readers.

Also, two advanced infrared optical transducers provide directional tracking of RFID tags. The robust construction of the transducers allow for continued function over a variety of noisy and extreme environments.

The whole system is electromagnetically isolated, requiring a ground connection for EMI discharge.

Data logger Software



Sample Application

. Technical Specification	
General	RFID Data logger, 2 readers, 4 opto transducers, Power Module, this version uses a laptop for core processing
Reading Rate	4 Hz
Power	* 12 VDC
	* 300 mA
Output	* Simple text file (configurable)
	* Audible beep
	* Wireless
Data capacity	Approximately 300 days
Physical Dimensions	* 40 x 60 x 24 cm
	* 30 pounds
	* Customizable connectors
Environment Specifications	* Humidity 5% to 90%
	* 10°F ~ + 100°F
Antenna	150 mH (Standard for many ISO 1784-5 systems)
Tags	134.2 kHz HDX and/or FDX ISO – from small implantable to large dimensions
3. Software Specification	
License	Open Source (free)
OS	Windows (any)
4. Infrared Optos	
Operating Distance	40 ft. (13 m)
5. Microcomputer	
Laptop supplied as part of the system	Specific computer can be supplied in order to meet specific specifications

Applications

1. Animal tracking
2. Walk and rollover tracking of carts with tags

Packaging List

1. Data logger (computer included)
2. 2 optos
3. USB pen drive
4. Customizable connectors
5. Manual
6. Cables
7. Mounting brackets for optos

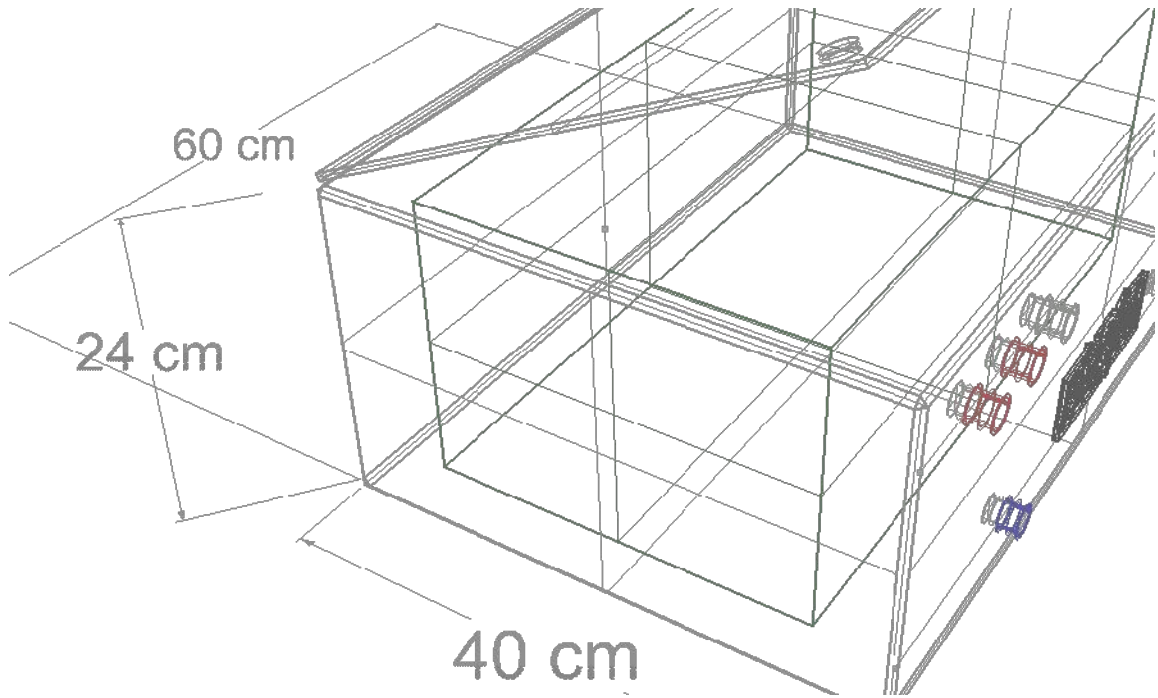


Figure 1 – Product Dimensions



Figure 2 - Field Deployment